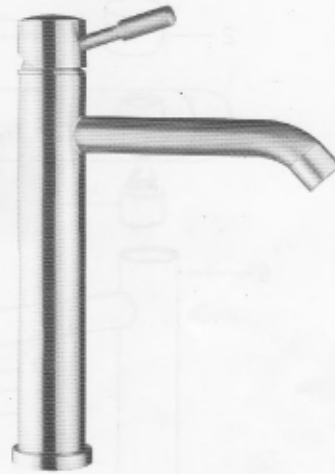


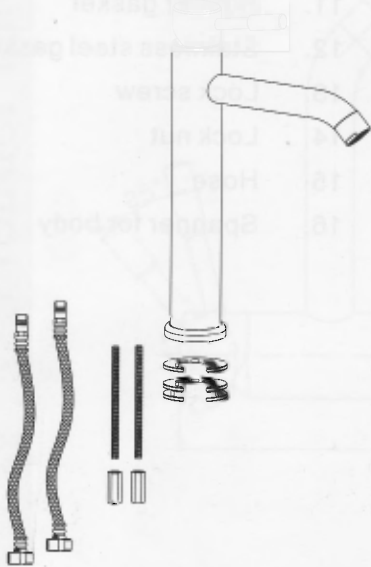
Installation Instruction

Single Handle Lavatory Faucet



Before Your Installation

Check to make sure you have the following parts indicated below:



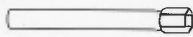
Tools You Will Need



Adjustable wrench



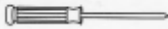
Pipe tape
(supplied)



Spanner for body
(supplied)



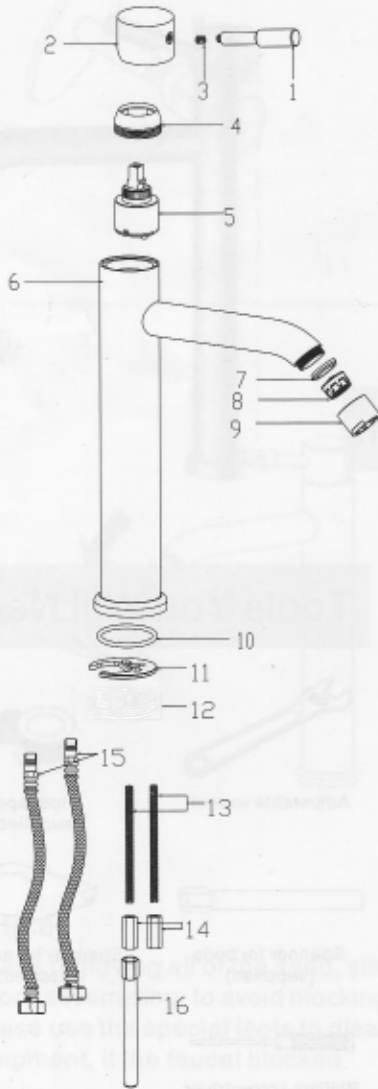
Spanner for aerator
(supplied)



Phillips screwdriver

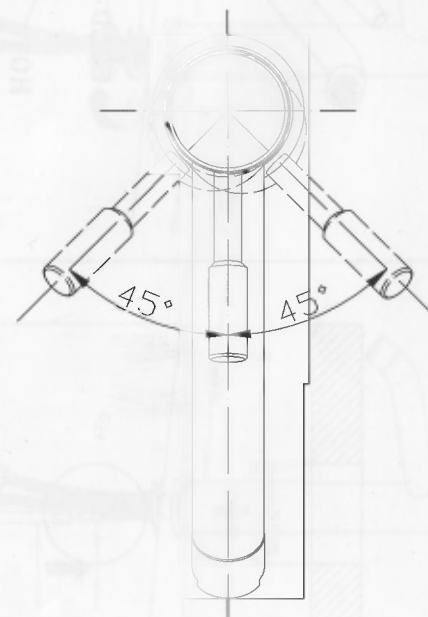
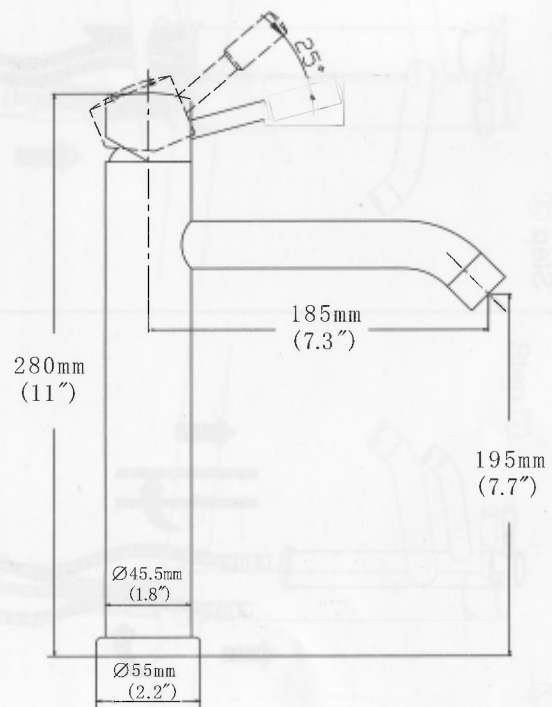
Replacement Parts

Keep this manual for ordering replacement parts.



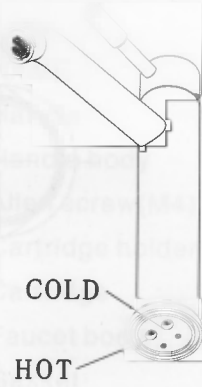
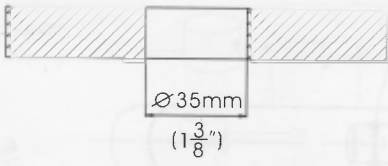
NO	NAME
1.	Handle
2.	Handle body
3.	Allen screw(M4)
4.	Cartridge holder
5.	Cartridge
6.	Faucet body
7.	Gasket
8.	Aerator
9.	Aerator holder
10.	O ring
11.	Rubber gasket
12.	Stainless steel gasket
13.	Lock screw
14.	Lock nut
15.	Hose
16.	Spanner for body

Product Dimension Drawing

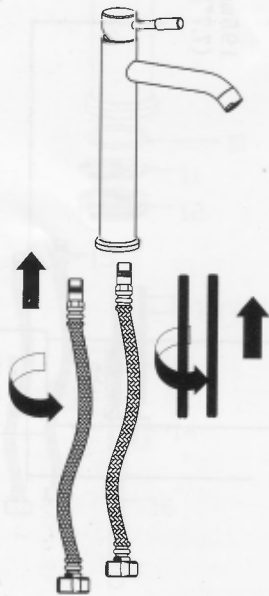


Faucet Installation Procedures

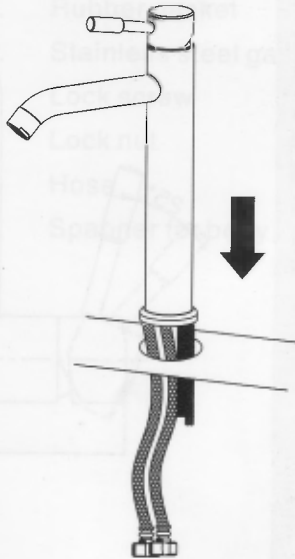
Step ①



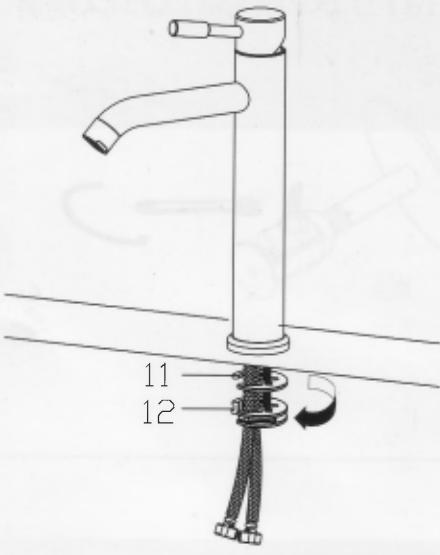
Step ②



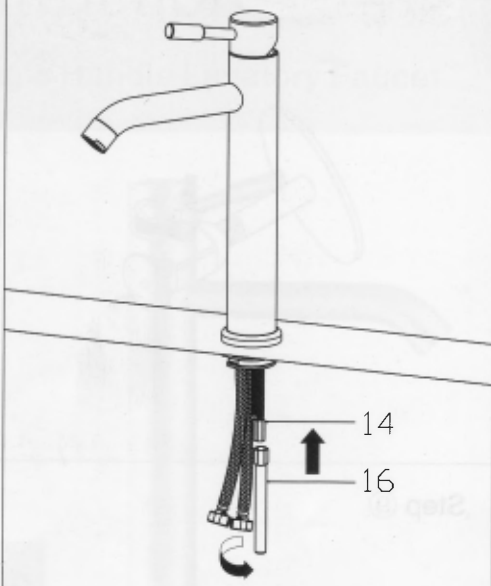
Step ③



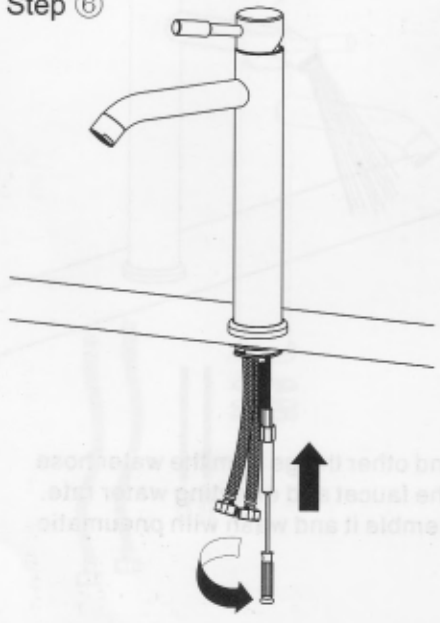
Step ④



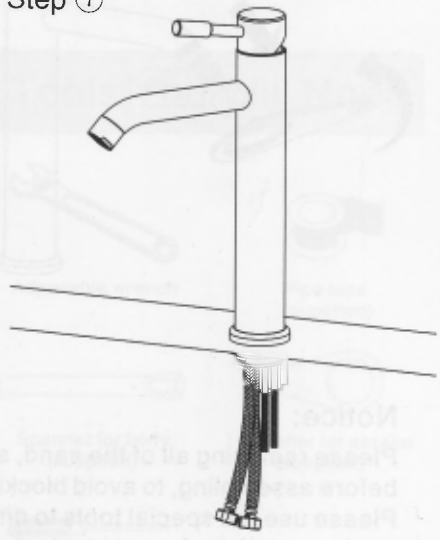
Step ⑤



Step ⑥



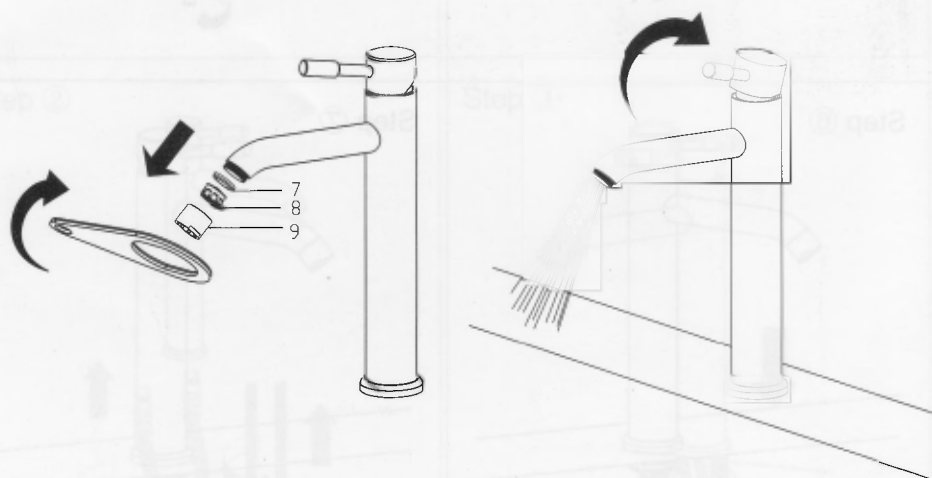
Step ⑦



Step ⑧



Step ⑨



Notice:

Please removing all of the sand, silt and other things from the water hose before assembling, to avoid blocking the faucet and effecting water rate. Please use the special tools to disassemble it and wash with pneumatic equipment, if the faucet blocked.